

DC POWER

BY

Bob Hardwick

WA6NFJ

WA6NFJ@ARRL.NET

Conductor Sizes For 3-Percent Drop in Voltage.

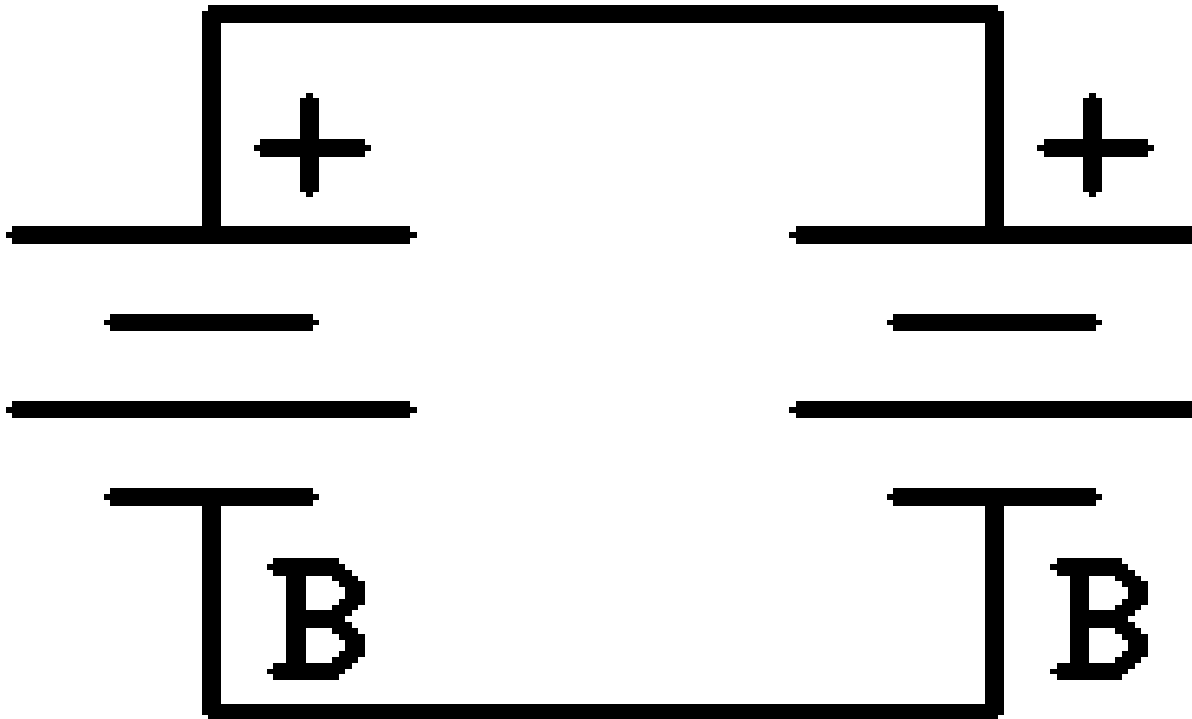
Length of Conductor from Source to Device and Back in Feet.

AWG is AMERICAN WIRE GAUGE .

WA6NFJ@ARRL.NET

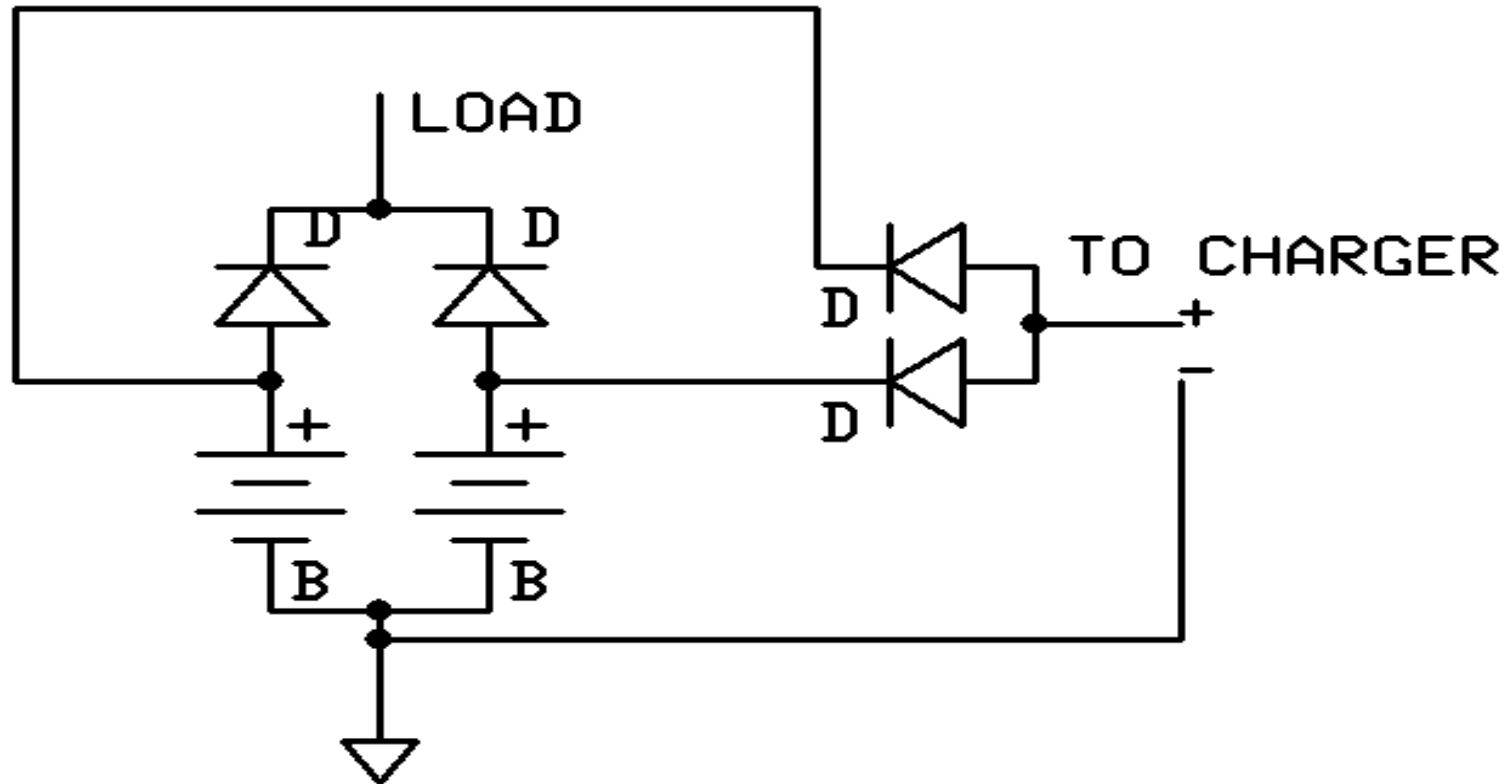
	10 Ft.	15 Ft.	20 Ft.	25 Ft.	30 Ft.	40 Ft.	50 Ft.	60 Ft.	70 Ft.
5 A	18 AWG	16 AWG	14 AWG	12 AWG	12 AWG	10 AWG	10 AWG	10 AWG	8 AWG
10 A	14 AWG	12 AWG	10 AWG	10 AWG	10 AWG	8 AWG	6 AWG	6 AWG	6 AWG
15 A	12 AWG	10 AWG	10 AWG	8 AWG	8 AWG	6 AWG	6 AWG	6 AWG	4 AWG
20 A	10 AWG	10 AWG	8 AWG	6 AWG	6 AWG	6 AWG	4 AWG	4 AWG	2 AWG
25 A	10 AWG	8 AWG	6 AWG	6 AWG	6 AWG	4 AWG	4 AWG	2 AWG	2 AWG
30 A	10 AWG	8 AWG	6 AWG	6 AWG	4 AWG	4 AWG	2 AWG	2 AWG	1 AWG
40 A	8 AWG	6 AWG	6 AWG	4 AWG	4 AWG	2 AWG	2 AWG	1 AWG	0 AWG
50 A	6 AWG	6 AWG	4 AWG	4 AWG	2 AWG	2 AWG	1 AWG	0 AWG	2/0 AWG
60 A	6 AWG	4 AWG	4 AWG	4 AWG	2 AWG	1 AWG	0 AWG	2/0 AWG	3/0 AWG
70 A	6 AWG	4 AWG	2 AWG	2 AWG	1 AWG	0 AWG	2/0 AWG	3/0 AWG	3/0 AWG
80 A	6 AWG	4 AWG	2 AWG	2 AWG	1 AWG	0 AWG	3/0 AWG	3/0 AWG	4/0 AWG
90 A	4 AWG	2 AWG	2 AWG	2 AWG	0 AWG	2/0 AWG	3/0 AWG	4/0 AWG	4/0 AWG

This is the wrong way to parallel batteries.

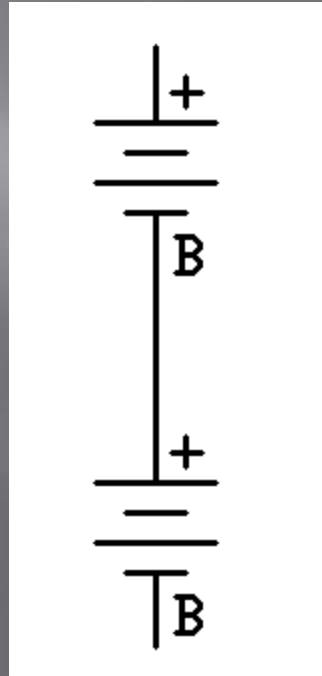


This way will discharge both batteries.

This is the correct way to parallel batteries.



This is the correct way to put batteries in series.



The batteries can not discharge each other.

Rules For Good Battery Life

#1

Keep a moderate temperature. As food stays fresher when refrigerated, so also does cool temperature retard battery corrosion, a life-robbing adversary of any battery.

Rules For Good Battery Life

#2

Control discharge. Each cycle wears the battery down by a small amount. A partial discharge before charge is better than a full discharge. Apply a deliberate full discharge only to calibrate a smart battery and to prevent “memory” on a nickel-based pack.

Rules For Good Battery Life

#3

Avoid abuse. Like a machine that is exposed to strenuous work, a battery wears down more quickly if discharged harshly and if force-charged with high currents.

Strenuous demands cannot always be prevented, but the user has the choice of selecting the right battery size, keeping the temperature moderate and following life-extending service guidelines.